

ARW 65

WALK-BEHIND ROLLER



A 2-IN-1 MACHINE

The ARW 65 provides two-in-one capabilities that make it the perfect fit for every construction company. A high-amplitude setting provides a walk-behind roller that performs like it was custom built for work on soils and aggregates. By simply adjusting to the low-amplitude the operator can change to a roller that is a perfect fit on asphalt and bituminous materials. The machine is available with Hatz or Yanmar diesel engines, leaving the engine choice up to the customers preferences.

SOIL AND BITUMEN APPLICATION

- High-amplitude setting for work on gravel/soil.
- Low-amplitude setting for asphalt and bituminous materials.
- Scrapers, sprinkler system and large water tank for work on bituminous material already installed.

HYDRAULIC DRIVE

- Ensures variable speed adjustment.
- Offers smooth starting/braking action.
- Low maintenance costs due to hydrostatic drive and vibration

TWO AMPLITUDES

- Big amplitude (0.3 mm) for substructure
- Small amplitude (0.15 mm) for asphalt

EFFICIENCY ON EDGES

- Clearance on both drum sides allows compaction work extremely close to obstacles.
- No time-consuming reworking on edges is needed.

SAFETY FIRST

- Safety handle stops machine when operator releases grip.
- Safety handle changes direction to forward when the machine comes too close to the operator in reverse mode.
- In reverse mode the roller's speed limit is set to 42 m/min (1.6 mph).

APPLICATIONS

- Earthworks and asphalt applications
- Sidewalks/cycle paths construction & repair
- Sports grounds
- Agricultural roads construction & maintenance
- Forest access roads construction & maintenance

AMMANN

TECHNICAL SPECIFICATIONS
ARW 65 WALK-BEHIND ROLLER

WEIGHT & DIMENSIONS

	HATZ	YANMAR
OPERATING WEIGHT CECE	703 kg (1549 lb)	687 kg (1514 lb)
MAX. WEIGHT (WITH ELECTRIC START & OPTIONS)	713 kg (1571 lb)	694 kg (1530 lb)
A MACHINE LENGTH	2288 mm (90.1 in)	2288 mm (90.1 in)
B WHEEL BASE	500 mm (19.7 in)	500 mm (19.7 in)
C DRUM DIAMETER	400 mm (15.7 in)	400 mm (15.7 in)
D MACHINE HEIGHT	1110 mm (43.7 in)	1110 mm (43.7 in)
E TRANSPORT HEIGHT	1835 mm (72.2 in)	1835 mm (72.2 in)
F MACHINE WIDTH	720 mm (28.3 in)	720 mm (28.3 in)
G DRUM WIDTH	650 mm (25.6 in)	650 mm (25.6 in)

ENGINE

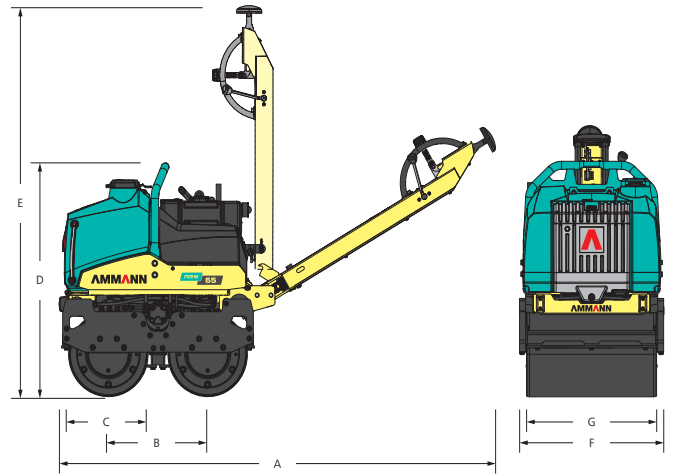
ENGINE	Hatz 1D42	Yanmar L100V
FUEL	Diesel	Diesel
ENGINE OUTPUT AT RPM	6.4 kW (8.6 HP) 2800	6.1 kW (8.2 HP) 2800
FUEL CONSUMPTION	2.3 l/h (0.6 gal/h)	2.5 l (0.7 gal/h)

COMPACTION FORCES

MAX. VIBRATION FREQUENCY	65 Hz (3900 vpm)	65 Hz (3900 vpm)
MAX. CENTRIFUGAL FORCE	14/23 kN (2147 / 5171 lbf)	14/23 kN (2147 / 5171 lbf)
LINEAR PRESSURE	5.7 kg/cm (31.8 lb/in)	5.5 kg/cm (30.7 lb/in)
AMPLITUDE	0.3 / 0.15 mm (0.01 / 0.005 in)	0.3 / 0.15 mm (0.01 / 0.005 in)
MAX. COMPACTION DEPTH (SOIL)	20/15 cm (7.9/5.9 in)	20/15 cm (7.9/5.9 in)
MAX. COMPACTION DEPTH (SAND)	30/25 cm (11.8/9.8 in)	30/25 cm (11.8/9.8 in)

STANDARD EQUIPMENT

- Hydrostatic adjustable eccentric weights for 2 working modes
- Ergonomic handle
- Dead man handle for operator safety
- Integrated hydraulic parking brake
- 60l water tank with sprinkler system
- Scrapers on front and back drum
- Electric starter (Yanmar version)
- 3 year extended warranty program



MISCELLANEOUS

	HATZ	YANMAR
SPEED (FORWARD)	67 m/min (2.5 mph)	67 m/min (2.5 mph)
SPEED (REVERSE)	42 m/min (1.6 mph)	42 m/min (1.6 mph)
GRADEABILITY W./W.O. VIBRATION	25% / 45%	25% / 44%
FUEL CAPACITY	5 l (1.3 gal)	4.7 l (1.2 gal)
WATER TANK CAPACITY	60 l (15.8 gal)	60 l (15.8 gal)

OPTIONAL EQUIPMENT

- Operating hour meter
- LED working lights
- Electric starter (Hatz version)
- Ammann ServiceLink (Telematics)